

# PHILCO

REG. U.S. PAT. OFF.

## Service Bulletin—No. 159-A

### Model 57

THE PHILCO RADIO MODEL 57 is a four-tube superheterodyne receiver, combining standard broadcast and police reception and employs the new Philco high efficiency tubes with pentode output and electro dynamic speaker. The same superheterodyne circuit is used for standard broadcast and police reception. The intermediate frequency for tuning the I. F. transformer is 460 kilocycles. The power consumption of the Model 57 is 46 watts.

**Table 1—Tube Socket Data\*—Power Line  
Voltage 115 Volts**

Circuit	Det. Osc.	2nd Det.	Out-put	Recti- fier
Type Tube	77	77	42	80
Filament Volts—F to F.....	6.3	6.3	6.3	4.8
Plate Volts—P to K.....	235	45	235	300
Screen Grid Volts—SG to K.....	110	35	250	....
Control Grid Volts—CG to K.....	10.5	.25	.25	....
Cathode Volts—K to F.....	25	15	15	....

**Table 2—Power Transformer  
Data**

Terminal	A. C. Volts	Circuit	Color
1- 2	105-125	Primary	White
3- 5	6.3	Filament	Black
6- 7	5.0	Filament of 80	Blue
8-10	580	Plates of 80	Yellow
4	...	Center Tap of 3-5	Black-Yellow Tracer
9	...	Center Tap of 8-10	Yellow-Green Tracer

\* All of the above readings were taken from the underside of the chassis, using test prods and leads with a suitable A. C. voltmeter for filament voltages and a high resistance multirange D. C. voltmeter for all other readings. Volume control at maximum and station selector turned to low frequency end. Readings taken with a plug-in adapter will NOT be satisfactory. The Philco Model 048 All-Purpose Set Tester is thoroughly recommended for all tests of Model 57.

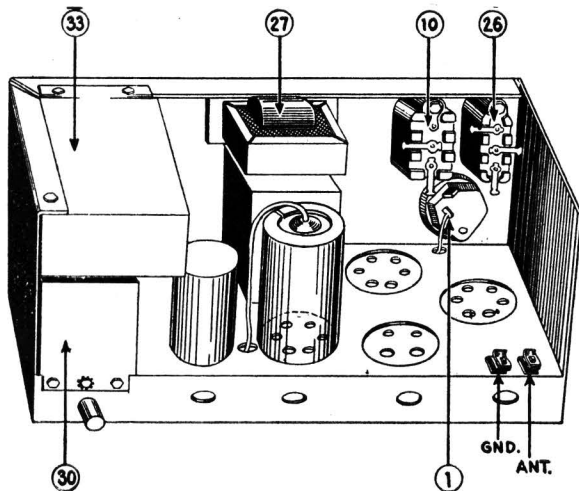


Fig. 1—Top View of Chassis, Showing Parts

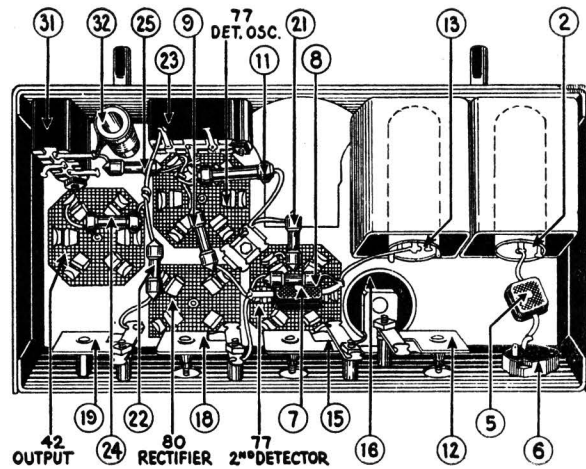
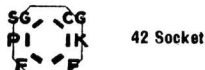


Fig. 2—Bottom View of Chassis, Showing Parts



Terminal Arrangement of Tube Sockets Viewed From Under Side of Chassis.

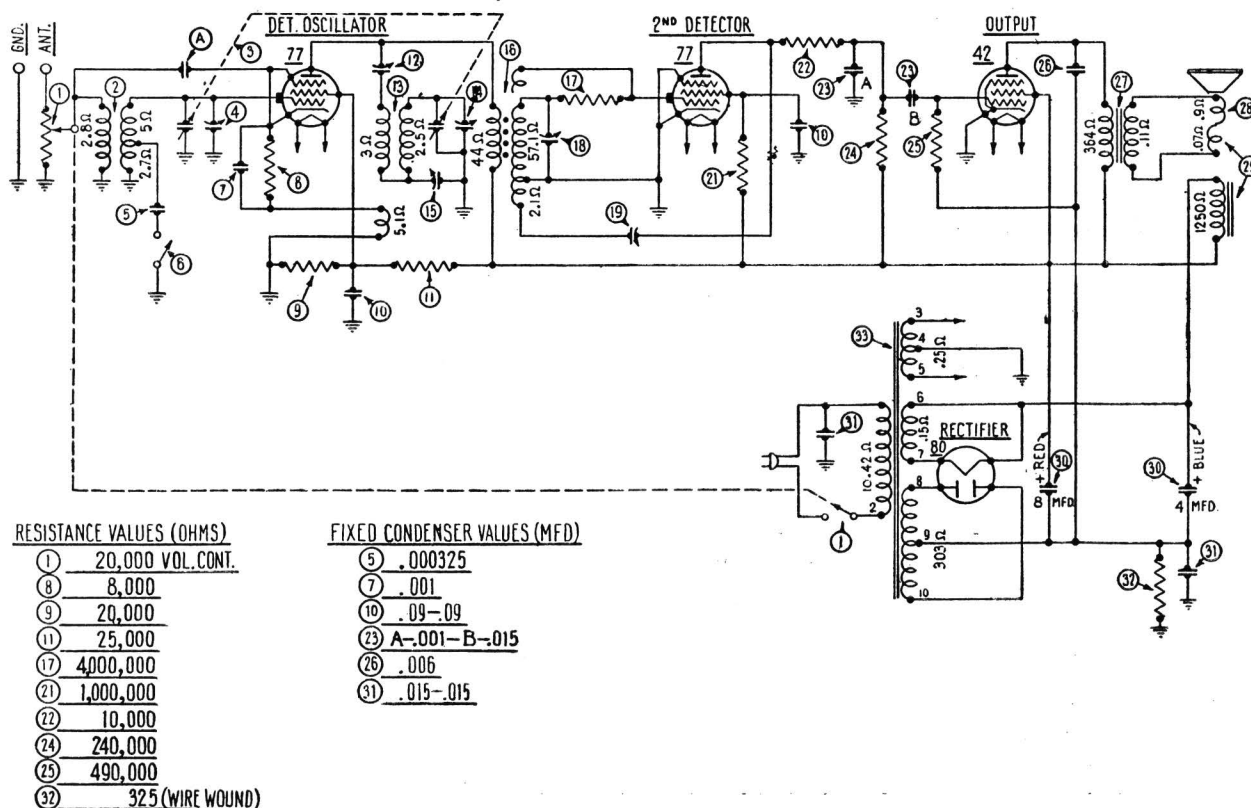


Fig. 3—Schematic Wiring Diagram

NOTE (A)—This capacity obtained by pair twisted wires

**RESISTANCE VALUES (OHMS)**

- ① 20,000 VOL. CONT.
- ⑧ 8,000
- ⑨ 20,000
- ⑪ 25,000
- ⑰ 4000,000
- ⑳ 1,000,000
- ㉒ 10,000
- ㉔ 240,000
- ㉕ 490,000
- ㉚ 325 (WIRE WOUND)

**FIXED CONDENSER VALUES (MFD)**

- ⑤ .000325
- ⑦ .001
- ⑩ .09-.09
- ㉓ A-.001-B-.015
- ㉖ .006
- ㉛ .015-.015

**REPLACEMENT PARTS MODEL 57**

No. on Figs.	Description	Part No.	List Price	No. on Figs.	Description	Part No.	List Price
①	Volume Control and "On-Off" Switch	33-5011	.80	㉘	Compensating Cond. (I. F. Secondary)	04000-D	.10
②	Antenna Transformer	32-1153	.50	㉙	Compensating Condenser	04000	.16
③	Tuning Condenser Assembly	31-1035	1.75	㉚	Resistor (Brown-Black-Green)	4409	.20
④	Compensating Condenser (Antenna; Part of ③)			㉛	Resistor (Brown-Black-Orange)	4412	.20
⑤	Condenser	30-1004	.18	㉜	Condenser (Double)	7762-B	.20
⑥	Wave Band Switch	42-1027	.50	㉝	Resistor (Red-Yellow-Yellow)	4410	.20
⑦	Condenser	5215	.20	㉞	Resistor (Yellow-White-Yellow)	3769	.20
⑧	Resistor (Gray-Black-Red)	5838	.20	㉟	Condenser	7625-E	.12
⑨	Resistor (Red-Black-Orange)	6650	.20	㊱	Output Transformer	32-7041	.80
⑩	Condenser (Double)	4989-C	.25	㊲	Voice Coil and Cone Assembly	36-3029	.60
⑪	Resistor (Red-Green-Orange)	6666	.20	㊳	Field Coil and Pot Assembly	36-3081	1.50
⑫	Compensating Condenser (I. F. Primary)	04000-A	.12	㊴	Electrolytic Condenser (Double)	30-2004	1.60
⑬	Oscillator Coil	32-1023	.85	㊵	Condenser (Double)	3793-R	.25
⑭	Compensating Cond. (High Frequency—1400 kilocycles) (Part of ③)			㊶	Resistor (Wire Wound)	7465	.12
⑮	Compensating Cond. (Low Frequency)	04000-S	.25	㊷	Power Transformer (Below Run No. 4)	32-7046	3.25
⑯	I. F. Transformer	32-1155	1.00		Power Transformer (Run No. 4 and above)	32-7064	
⑰	Resistor (Yellow-Black-Green)	6010	.20		Tube Shield	28-1107	.10
					Four Prong Socket	7544	.06
					Six Prong Socket	7547	.10

USE PHILCO REPLACEMENT PARTS AND TUBES FOR EVERY MAKE RADIO.  
GET COMPLETE CATALOG FROM YOUR DISTRIBUTOR.

**PHILCO RADIO & TELEVISION CORPORATION**

Service Department